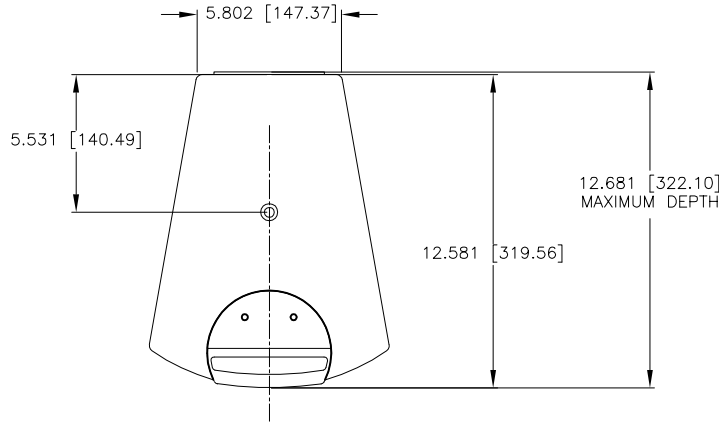


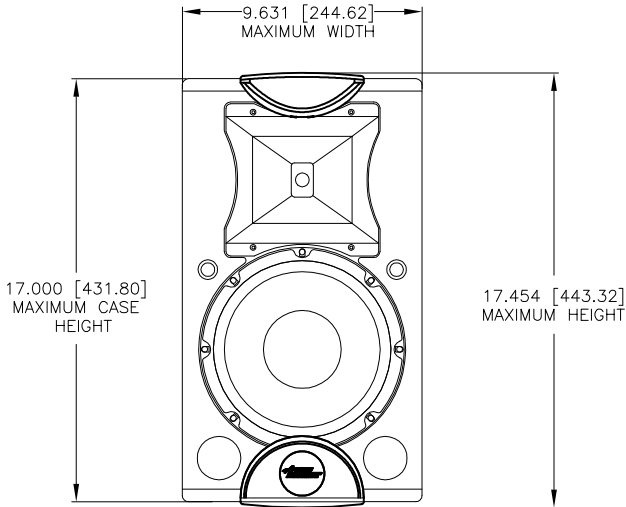
REVISIONS			
LTR	DESCRIPTION	DATE	APPROVED
A	PROTOTYPE AFI	07/24/03	

# AFI-1 LOUDSPEAKER

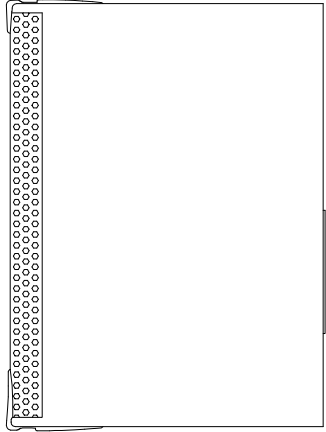


TOP VIEW

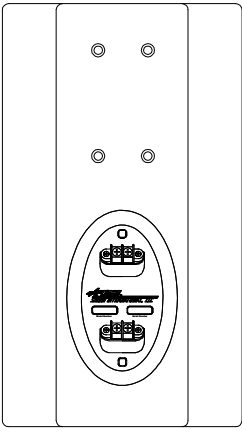
THE HOLE PATTERN ON THE BACK PANEL ACCEPTS A SERIES 30 OMNI-MOUNT USING THE HARDWARE SUPPLIED WITH THE UNIT.



FRONT VIEW



SIDE VIEW



REAR VIEW

- NOTES: UNLESS OTHERWISE SPECIFIED
- 1.) DIMENSIONS ARE IN INCHES & [MILLIMETERS]
  - 2.) METRIC RIGGING HARDWARE IS M10
  - 3.) IMPERIAL RIGGING HARDWARE IS 3/8 x 16

WHEN THE OMNI-MOUNT IS UTILIZED, NO OTHER RIGGING POINTS CAN BE USED.

NOT TO SCALE		 <small>SOUND INTERNATIONAL, LLC</small> <small>2180 SOUTH McDOWELL BLVD. PETALUMA, CALIFORNIA 94954</small> <small>PHONE: 707-778-9887 FAX: 707-778-9823</small>	
DRAWN	MARTIN 07/24/03		
CHECKED	MARTIN 07/24/03	SIZE	A AFI - 1
PRODUCT NUMBER RAW: 94-XXXX		SCALE:	NTS
		REVISION:	A
		DRAWING NO.	ZFI001A