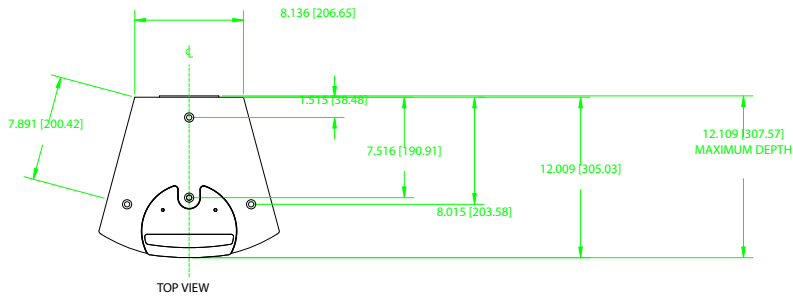
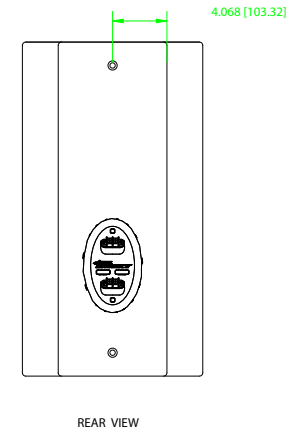
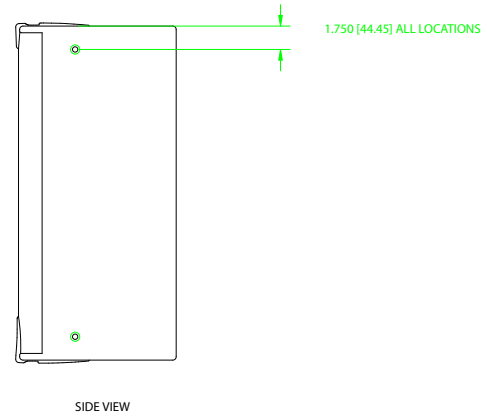
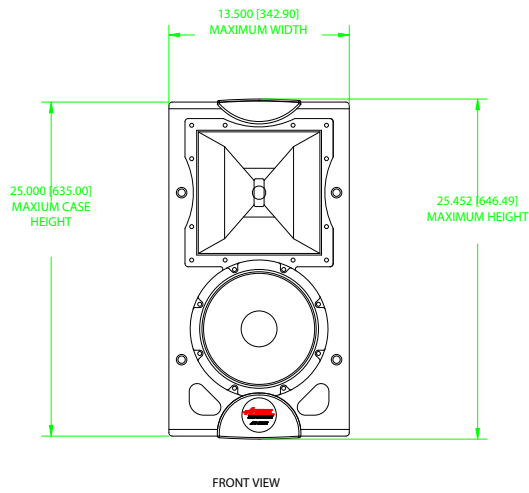


REVISIONS			
REV	DESCRIPTION	DATE	APPROVED
A	REVISED	02/07/03	



AF1-3 LOUDSPEAKER



NOTE: DIMENSIONS ARE IN INCHES & [MILLIMETERS]
 METRIC RIGGING HARDWARE IS M10/1.5
 IMPERIAL RIGGING HARDWARE IS 3/8 x 16

INFORMATION CONTAINED IN THIS DOCUMENT IS THE SOLE PROPERTY OF APOGEE SOUND INTERNATIONAL, LLC. REPRODUCTION OF ALL OR ANY PART OF THIS DOCUMENT WITHOUT WRITTEN PERMISSION FROM APOGEE SOUND INTERNATIONAL, LLC IS PROHIBITED.

NOT TO SCALE		 APOGEE SOUND INTERNATIONAL, LLC <small>7180 SOUTH HOOVER BLVD. SUITE 100, FULLERTON, CA 92841 PHONE 707-778-8887 FAX 707-778-8825</small>	
DRWBY: MARTIN	02/04/03		
CHECKED:	02/04/03	SIZE: A	AF1-3
PRODUCT NUMBER 106-0300	SCALE: NTS	REVISION: A	DRAWING NO.: ZFI003A