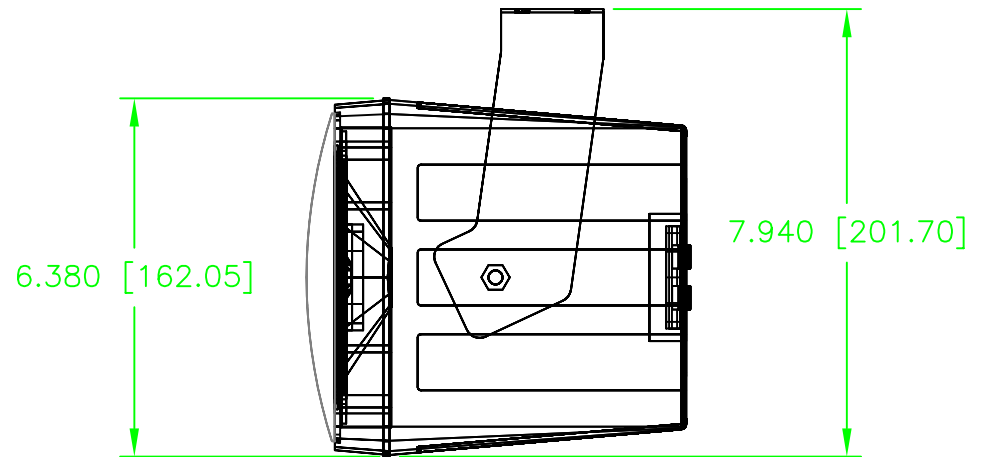
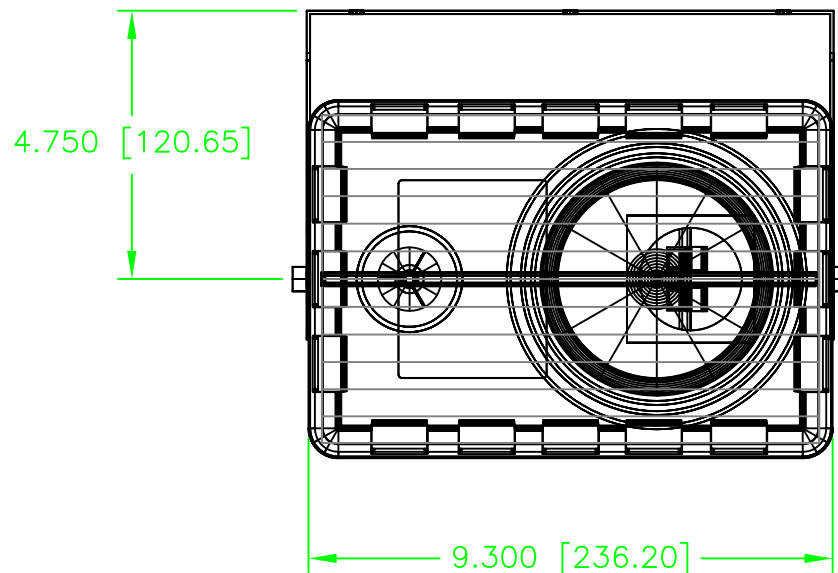


**AFI POINT 5**  
SHOWN W/OPTIONAL YOKE



NOT TO SCALE

DRAWN	WWE	5/12/98
REVISED		6/21/99



PRODUCT NUMBER  
75-0030  
PRO: 75-0040

SIZE  
A

AFI POINT-5 &  
POINT-5 PRO SPEAKERS

SCALE  
NONE

REVISION  
B

DRAWING NO.  
ZACP5