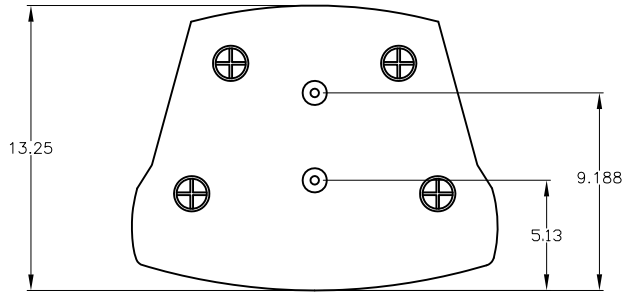
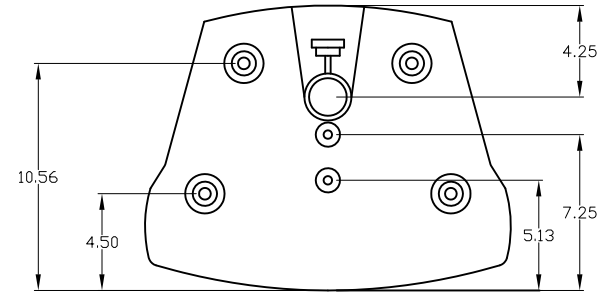


AMT-12 EXTERNAL DIMENSIONS

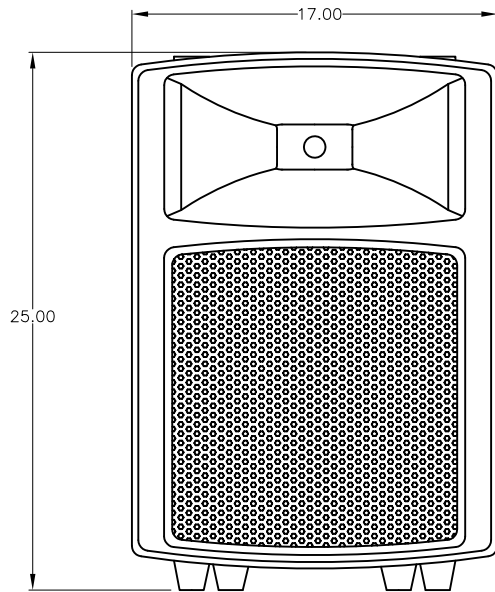
TOP VIEW



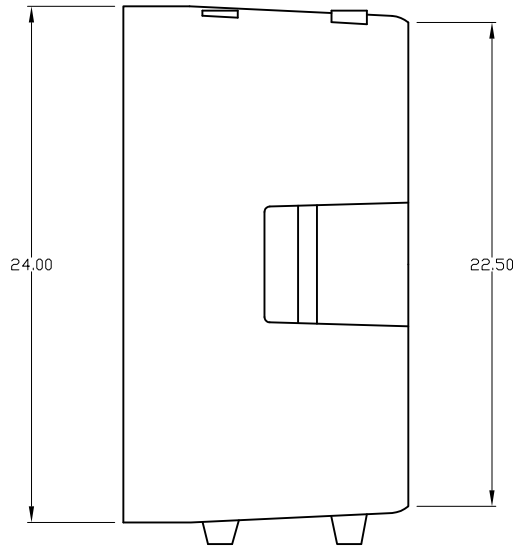
BOTTOM VIEW



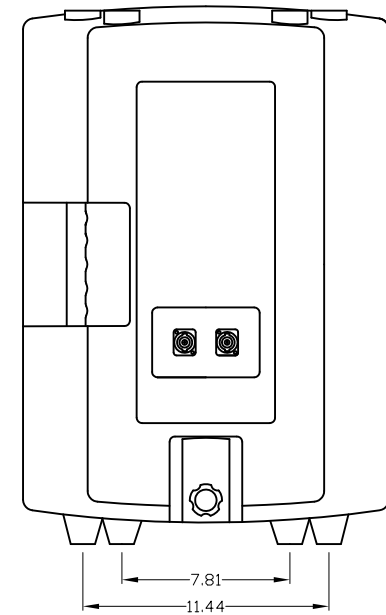
FRONT VIEW



RIGHT SIDE VIEW



REAR VIEW



Specifications and dimensions subject to change without notice.

DECIMALS ± .010	APPROVALS	DATE	AMT-12
ANGLES ± 1 DEG	DRAWN		
MATERIAL	REVISED		SPRO INTERNATIONAL, LLC 23 SPYRIS STREET, DANIEL, NJ 07444 PHONE: 908-934-2500 FAX: 908-934-2638
	PART NUMBER		AMT-12
FINISH	108-1200		DRAWING NO. ZAMT12
DO NOT SCALE DRAWING	SCALE: NTS	REVISION: A	SHEET 1 OF 1