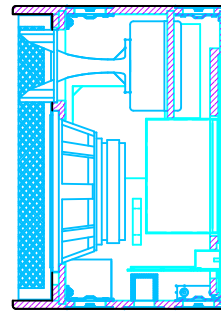
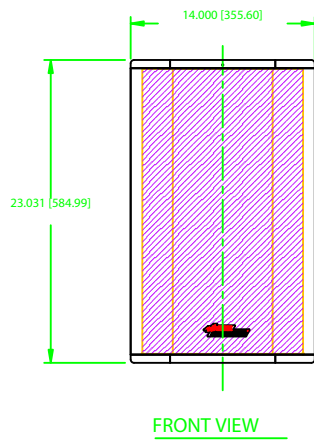
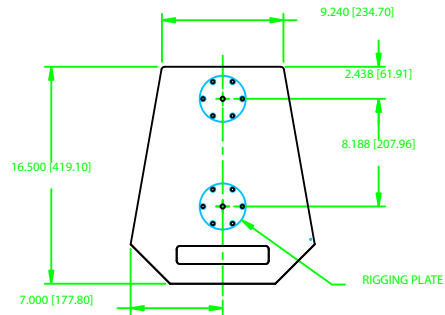
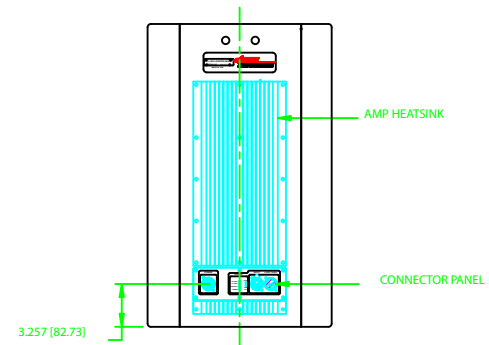


APL-500 POWERED SPEAKER



SECTION VIEW

REAR VIEW



NOTES: UNLESS OTHERWISE SPECIFIED

- OPTIONAL TRIM IS NOT SHOWN.
- DIMENSIONS ARE IN INCHES & [MILLIMETERS].

<small>INFORMATION CONTAINED IN THIS DOCUMENT IS THE SOLE PROPERTY OF APOGEE SOUND INTERNATIONAL, LLC. REPRODUCTION OF ALL OR ANY PART OF THIS DOCUMENT WITHOUT WRITTEN CONSENT FROM APOGEE SOUND INTERNATIONAL, LLC IS PROHIBITED.</small>	NOT TO SCALE				
	SCALE: 1/4	DRAWN: WWE	02/11/02		
	PRODUCT NUMBER: 105-1500	SIZE: D	DRAWING NO: ZAPL500	REVISION: A	APL-500 POWERED LOUDSPEAKER