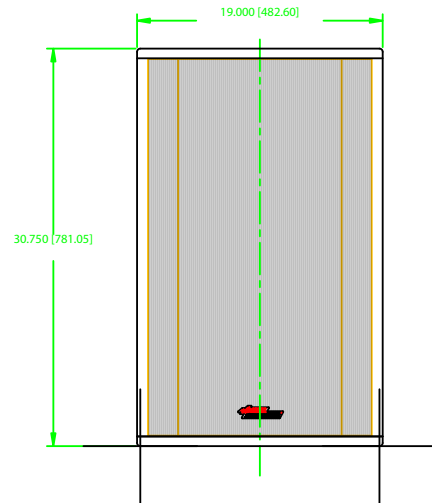
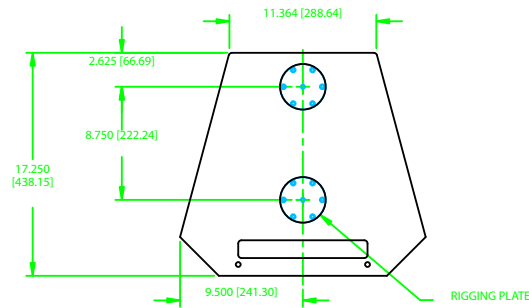
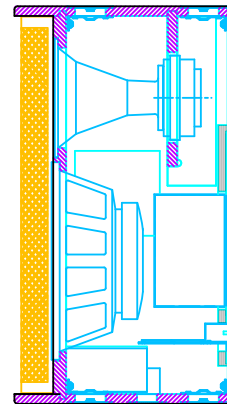


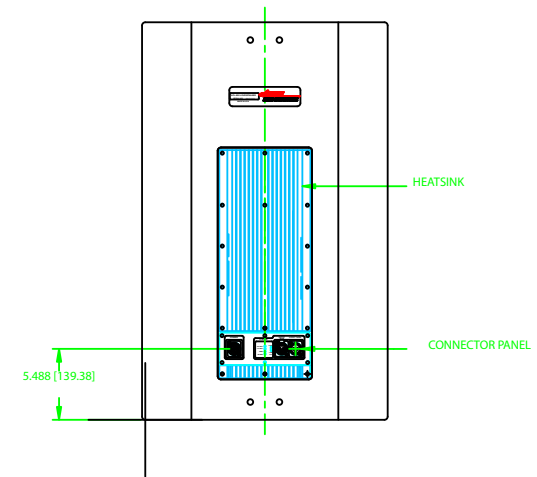
# APL-800 POWERED LOUDSPEAKER



FRONT VIEW



SECTION VIEW



**NOTES: UNLESS OTHERWISE SPECIFIED**

1. OPTIONAL TRIM IS NOT SHOWN ABOVE.
2. DIMENSIONS ARE IN INCHES & [MILLIMETERS].

INFORMATION CONTAINED  
IN THIS DOCUMENT IS  
THE SOLE PROPERTY  
OF APOGEE SOUND  
INTERNATIONAL, LLC.  
REPRODUCTION OF ALL  
OR ANY PART OF THIS  
DOCUMENT WITHOUT  
WRITTEN CONSENT  
FROM APOGEE  
SOUND INTERNATIONAL,  
LLC IS PROHIBITED.

**NOT TO SCALE**

SCALE 1/4 DRAWN WWI 02/19/02

REVISED

PRODUCT NUMBER: 105-1800

SIZE D DRAWING NO. ZAPL800



REVISION A

APL-800 POWERED LOUDSPEAKER