



# AE-10

## COMPACT SUBWOOFER SYSTEM

### DESCRIPTION:

Characterized by a tight and punchy sound, the AE-10 adds depth and dramatic impact to musical passages. When mated with AE full-range loudspeakers, the AE-10 extends low frequency response without muddying or coloring the upper frequencies.

### DRIVER COMPLEMENT:

Dual Apogee 15" (381mm) neodymium magnet cone-type drivers are treated with a waterproofing compound, providing resistance to moisture, and enabling long-term stability of cone resonance and cone mass parameters; also treated with Ferrofluid® for greater power handling capability, lower distortion, and control of short-term impedance rise

### INPUT CONNECTORS:

Neutrik™ NL4MP Speakon™ connectors standard; Cannon EP series and gas-tight barrier strips optional

### COMPATIBLE PROCESSORS:

DLC24 Digital Controller

### HANDLES:

Eight handles designed as an integral part of the enclosure (no moving parts)

### GRILLE:

Powder-coated, diamond-punched steel with acoustic foam covering

### TRIM:

Optional protective steel trim pieces on top and bottom edges; powder-coated for durability

### RIGGING HARDWARE:

Four 12-gauge steel nutplates, mounted two on top and two on bottom, recessed, nominally flush; accepts 3/8"-16 thread (10mm nutplate or Aeroquip Pan fittings optional); nutplates are backed with 12-gauge steel internal brackets

### FINISH:

Textured high-strength black epoxy paint; other colors optional

### ENCLOSURE TYPE:

20° trapezoidal, optimally-vented bass

### CABINET CONSTRUCTION:

Multi-ply birch with stainless steel fasteners

### ENGINEERING DATA:

#### FORMAT:

Single-amped/Electronically-coupled

#### DISPERSION:

Omni-directional

#### FREQUENCY RESPONSE (1M ON AXIS):

38 Hz to 120 Hz ± 3 dB

#### MAX. SPL (@1M):

130 dB cont./136 dB peak

#### PTML (PEAK TRANSIENT MECHANICAL LIMIT):

151 dB

#### SENSITIVITY (1W @ 1M):

96 dB/20 Hz to 100 Hz, each driver

#### NOMINAL IMPEDANCE:

8 ohms, each driver; separate connections to each driver

#### MAX. POWER HANDLING:

1200W cont./4800W peak (600W cont./2400W peak, each driver)

#### DIMENSIONS:

front: 32" (813mm) W x 22.5" (572mm) H

rear: 25" (635mm) W x 22.5" (572mm) H

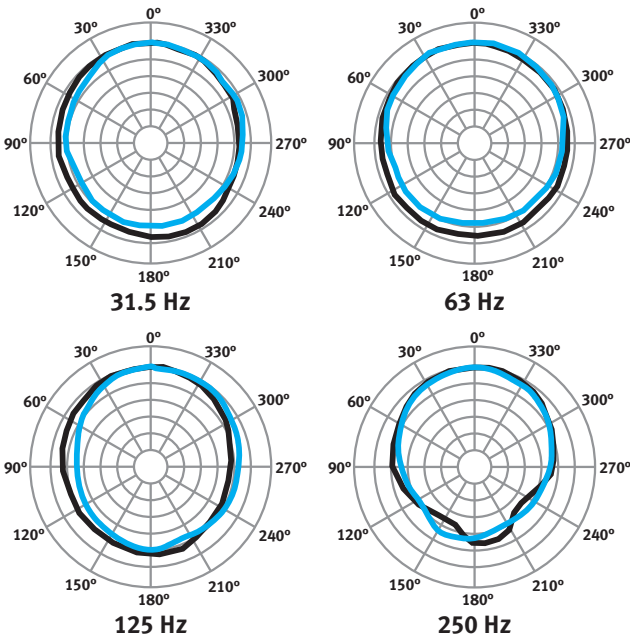
depth: 24" (610mm)

#### WEIGHT:

131 lb. (59.5 kg)

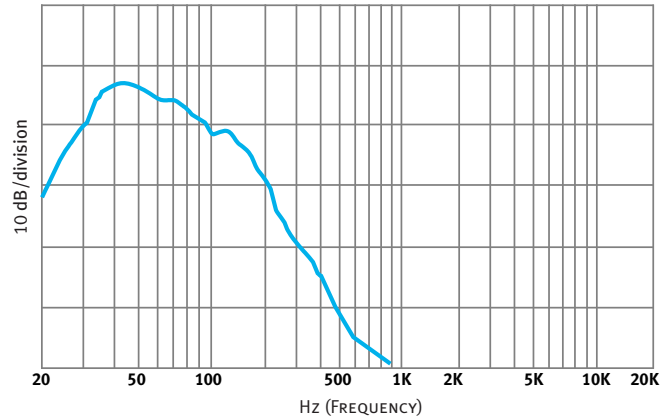
**APOGEE**  
SOUND INTERNATIONAL, LLC

**POLAR MEASUREMENTS AE-10** (6 dB/division, normalized)



**HORIZONTAL** ——— All polar measurements obtained in a free-field environment at 10° increments.  
**VERTICAL** ———

**FREQUENCY RESPONSE AE-10** (with controller)



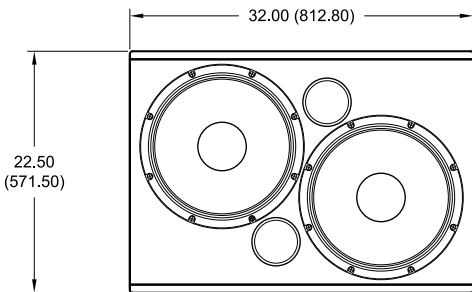
Measured in a free-field anechoic environment using a swept one-third octave input.

**PROCESSOR NOTES:**

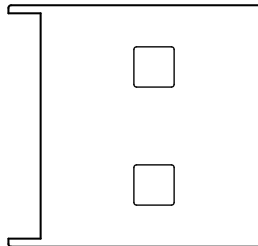
The DLC24 Digital Loudspeaker Controller is a digital engine with an analog surface. It combines the most advanced technology available with intuitive interfaces to provide the key elements that ensure optimal loudspeaker system performance and management in a variety of live sound and fixed installation applications.

The controller provides factory-set equalization curves to smooth the response, protective limiting, and active crossovers (for bi-amplified models and subwoofers).

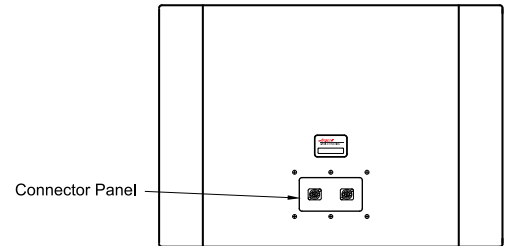
**DIMENSIONAL DRAWINGS AE-10** (dimensions in inches and millimeters)



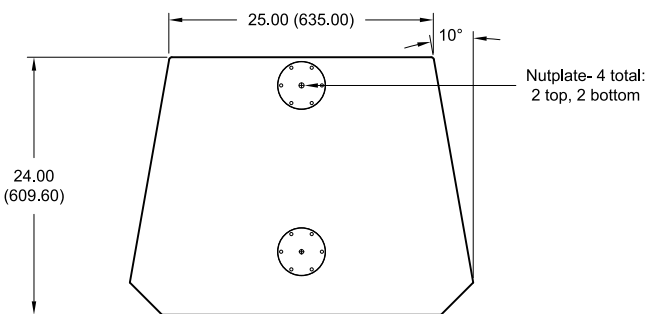
FRONT VIEW  
(WITHOUT GRILLE)



SIDE VIEW  
(WITHOUT GRILLE)



REAR VIEW



TOP VIEW

Nutplate- 4 total:  
2 top, 2 bottom

