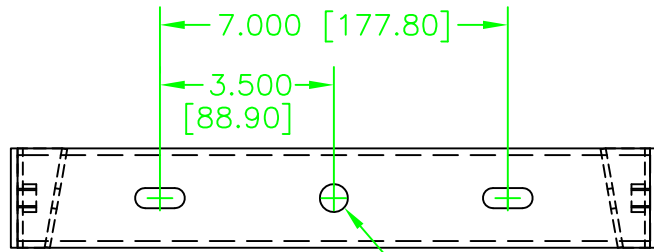
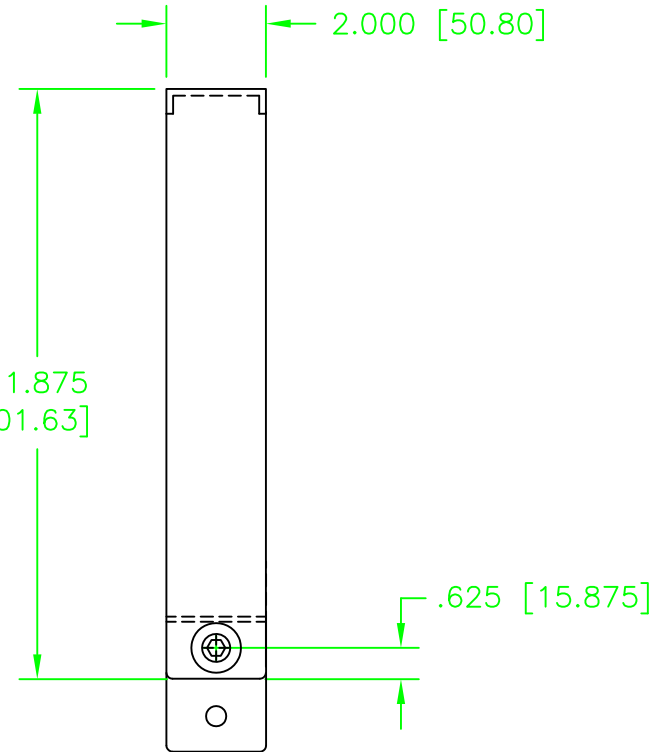
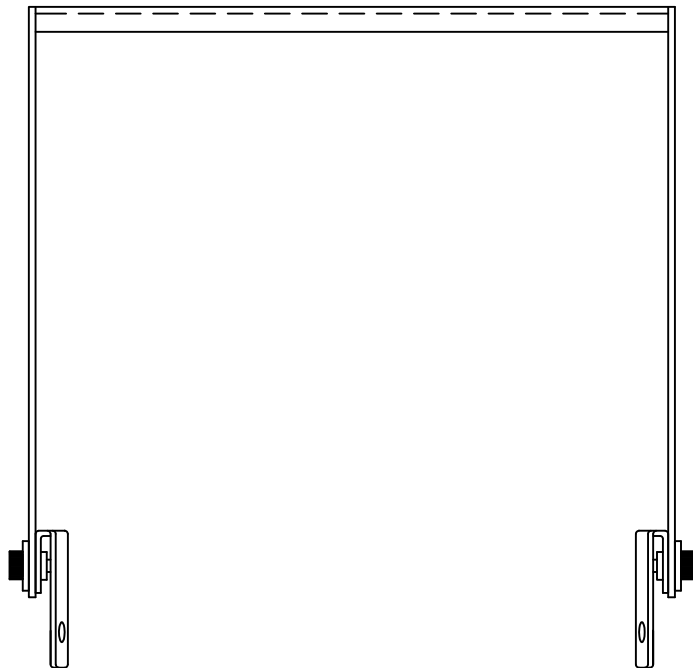
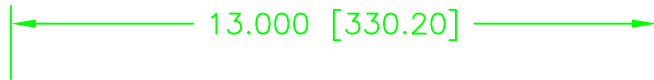


AE-3s2 YOKE

FOR USE W/O STAND FITTING



.562 [14.28] DIA FOR CLAMP
(ORDER SEPARATE, P/N: 26-0012)



GROSS WEIGHT: 3-1/2 LBS.

NOTE: DIMENSIONS ARE IN INCHES & [MILLIMETERS]

NOT TO SCALE			
DRAWN	JOHN 4/22/94		
CHECKED	4/25/94	SIZE	A
PRODUCT NUMBER		AE-3s2 YOKE FOR USE W/O STAND FITTING	
140-03		SCALE	1/4
		REVISION	A
		DRAWING NO.	Z0303